

Demister Fixings Guide

We offer a range of fixings alongside our wire mesh mist eliminators to help with joining sections together and with installation.

Find the fittings and fixtures that you need using our helpful guide, including product descriptions and drawings:

Perimeter Heel Clamps

Through Bolts

Section Linking Cleats

Through J Bolts

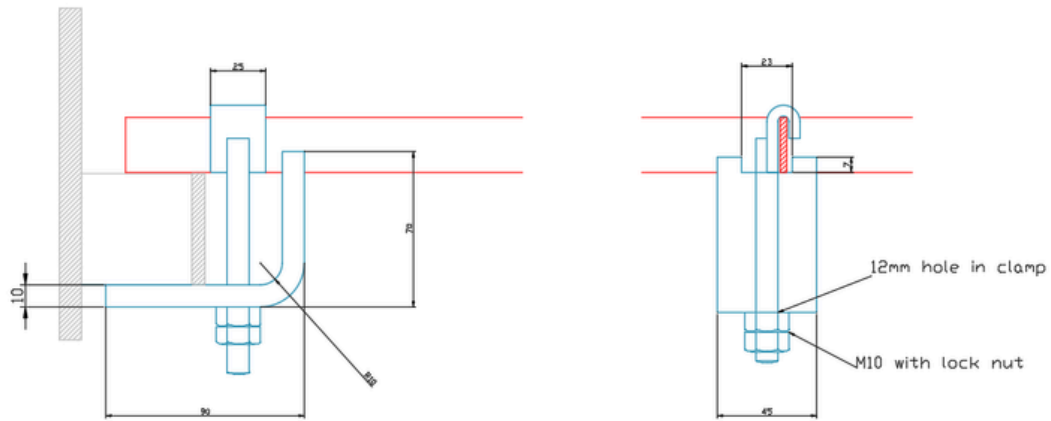
Staples

Beam Heel Clamp

If you're unsure on which fittings you might need, then a member of our team may be able to advise.



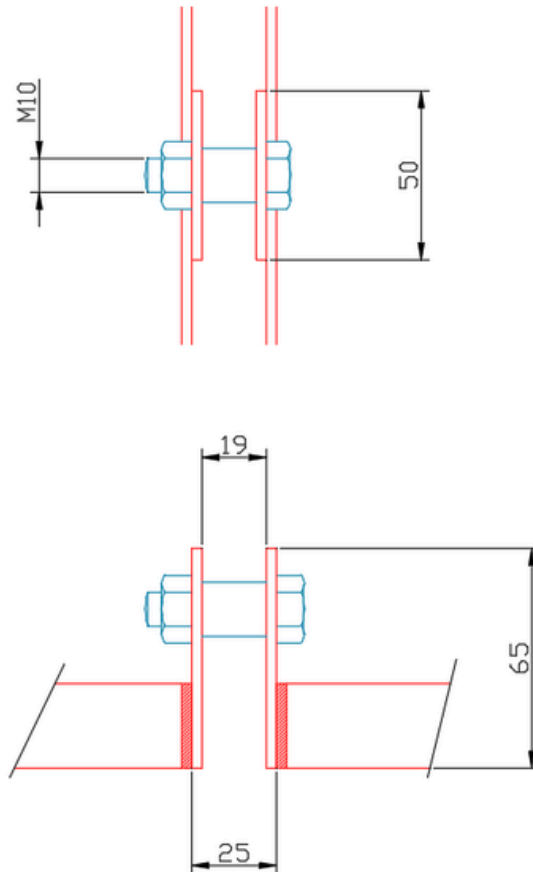
Perimeter Heel Clamps



Perimeter Heel Clamps and hook bolts are used to secure your demister sections to the offset support ring, internally on the vessel wall. Supplied with locking nuts and a washer.



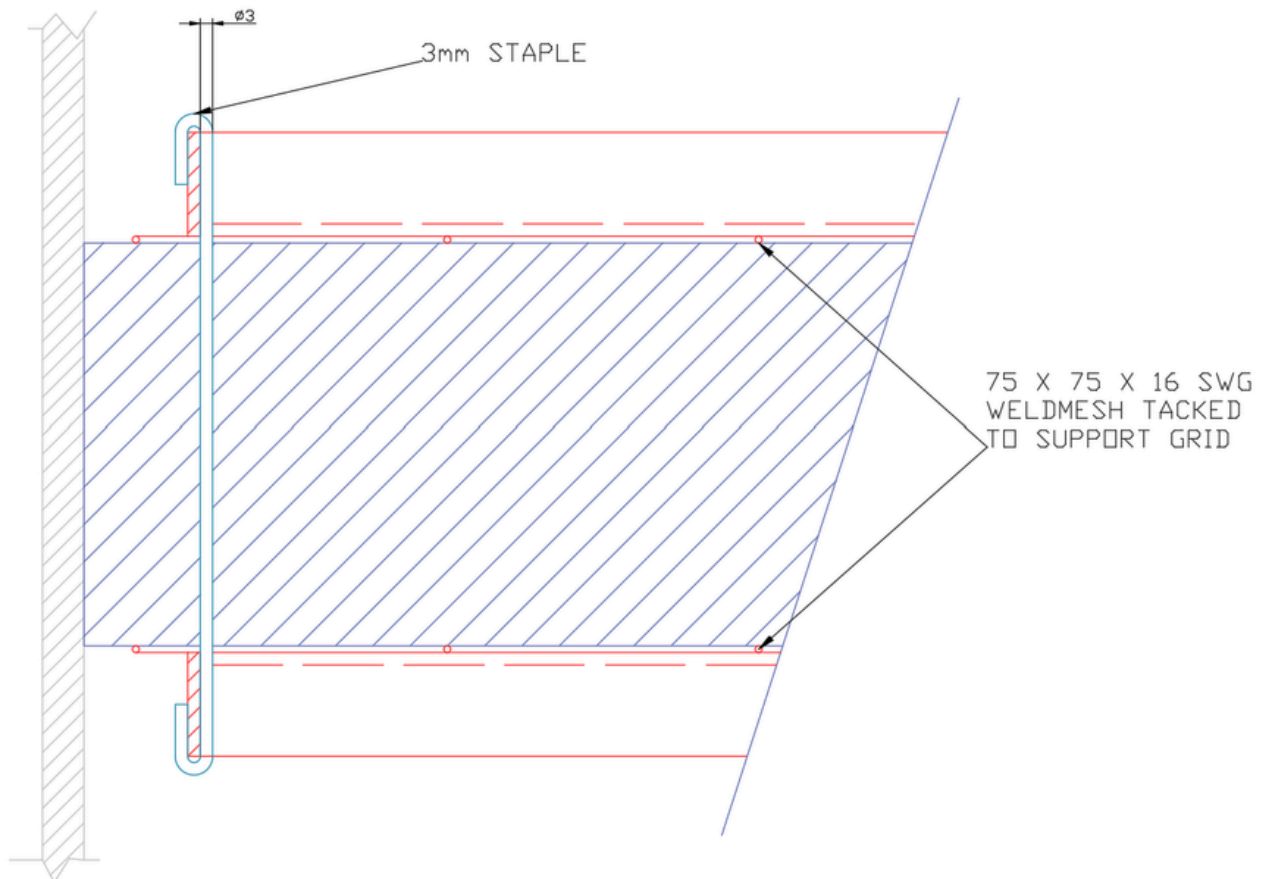
Section Linking Cleats



Section Linking Cleats are used to secure demister sections together to each other. These are most often used when installing from above and heel clamps have been used to secure most of the sections underneath. The final (closing) section will be secured to the two nearest sections. Constructed using flat and tube, welded together and to the support grids. Supplied with a bolt, nut and washer.



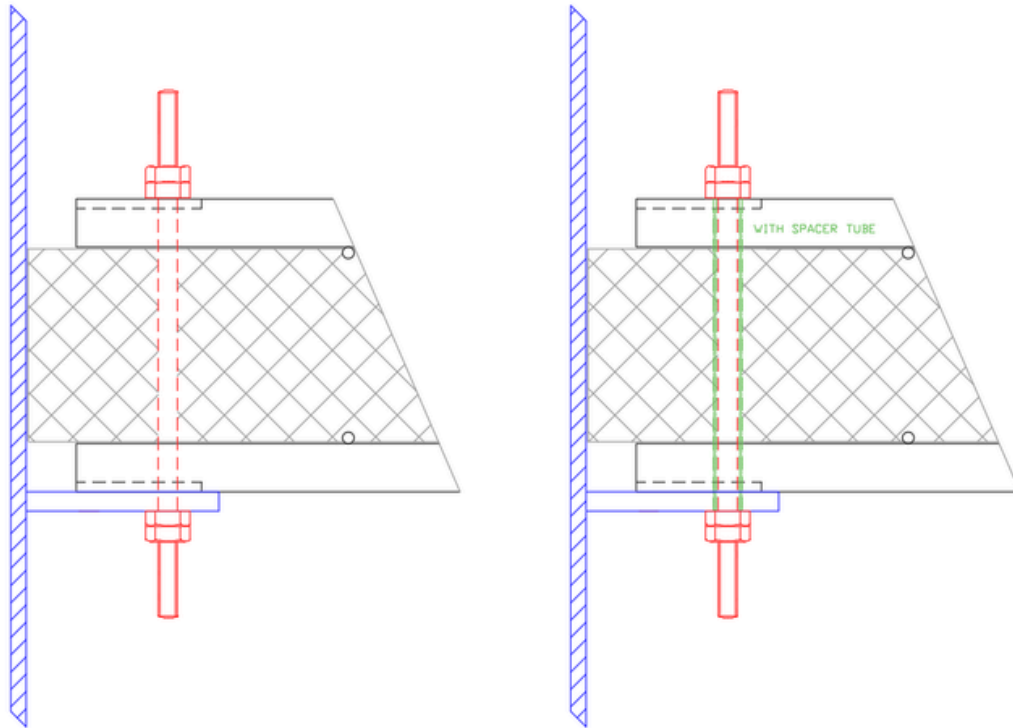
Staples



Staples can be used to secure the top and bottom support grids to the demister pad. These are supplied as 3 mm wire for you to cut to length. We do not recommend this as our demisters use upright support posts, from 6 mm diameter round bar, welded in place on both the top and bottom grids. Your demister is usually strong enough to walk on, although we wouldn't recommend that either.



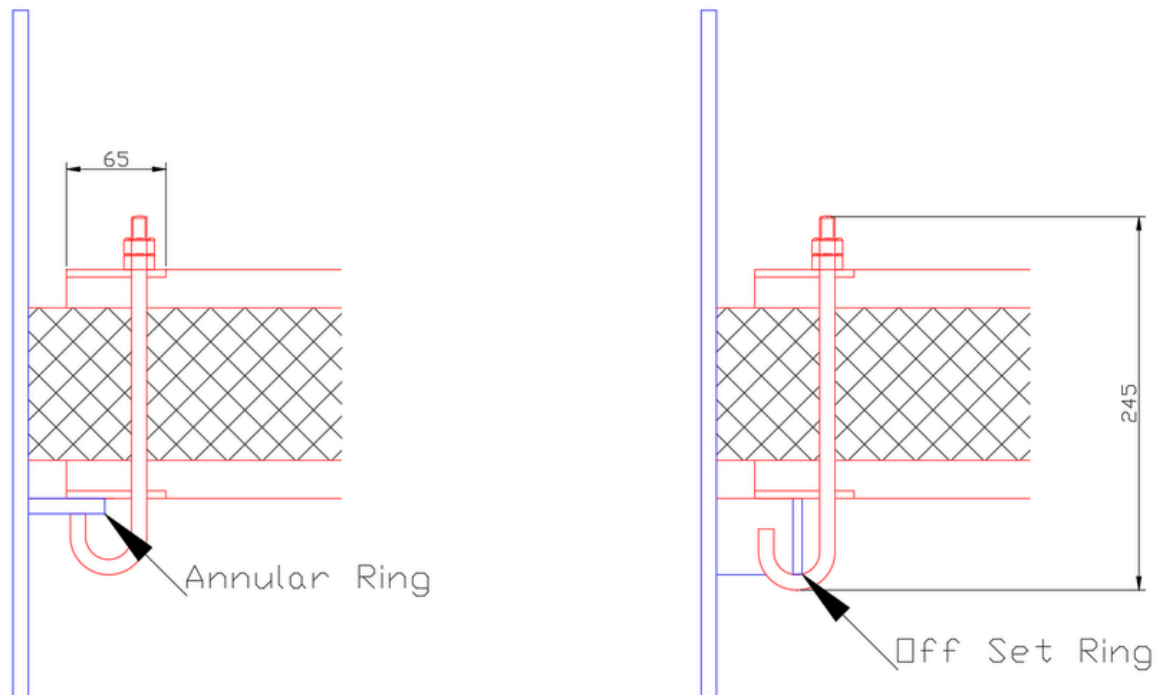
Through Bolts



Through bolts with or without a spacer tube are used solely when there is a bolt hole located beneath or above the demister sections. A tab will be welded to the top and bottom support grids to match the position of the bolt holes, to easily secure the sections in place. These bolt holes are often used in an annular ring or tabs mounted inside the vessel. These bolts are available with a spacer tube if the grids are to be fitted to the demister, without upright support posts as is our usual offer.



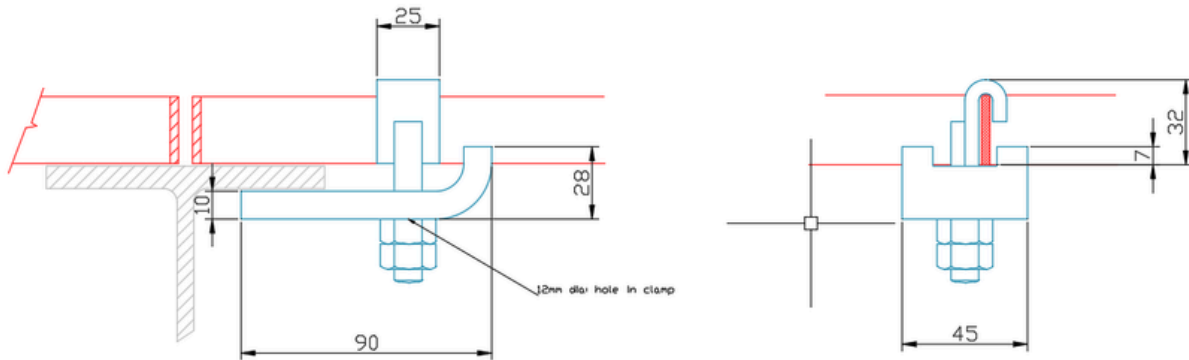
Through J Bolts



Through J-bolts are very similar to through bolts however shaped like a letter J and therefore hook beneath an offset ring. Although it is possible, we would not recommend these for use with an annular ring, especially if installed from above due to the risk of the J (hook) being mislocated. To enhance this, if it is the chosen method however, we can supply these through J-bolts with a location indicator on the top of the bolt thread (usually a cut in the thread to indicate the side where the hook is located).



Beam Heel Clamp



Beam Heel Clamp and hook bolts are used to secure your demister sections to a central support beam within the vessel. A centre beam is necessary when the demister is centrally split into two lengths. Supplied with locking nuts and a washer.

